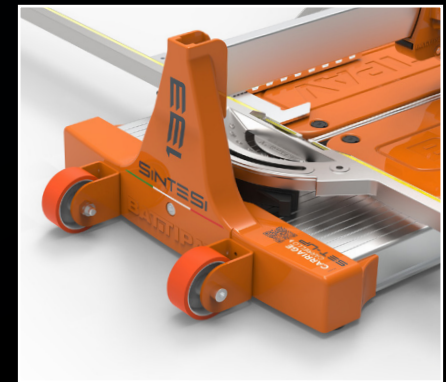
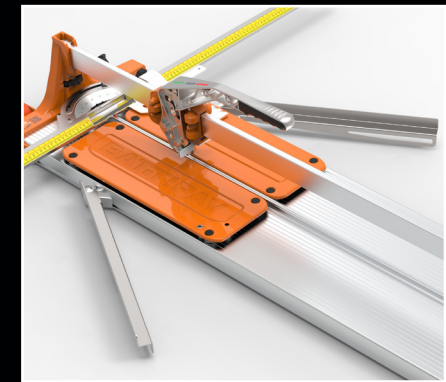


# SINTESSI

## PROFESSIONAL MANUAL TILE CUTTER



**EXTRA SPARE WHEEL**  
One more extra set spare wheel included. You never run out.

**SIDE EXTENSIONS**  
A new design of the lateral supports ensures great stability when cutting large formats. Particularly long in extension make the cut comfortable and safe.

**TRANSPORT**  
Very easy to carriage with all the parts closed, to reduce the encumbrance.

	Art. 40183	Art. 40163	Art. 40133	Art. 40093
CUTTING LENGTH	1830 mm	1630 mm	1330 mm	930 mm
MAX SIZE TILE FOR DIAGONAL CUTS	1290x1290 mm	1152x1152 mm	940x940 mm	655x655 mm
CUTTING THICKNESS	4 - 21 mm			
CUTTING WHEEL	Ø 22 x 6,1 x 4,7 mm			
PACKING DIMENSION	454x2296x 340 mm	454x2096x 340 mm	454x1796x 340 mm	454x1396x 340 mm
PIECES ON PALLET	12			
PALLET DIMENSION	920x2310x 1170 mm	920x1410x 1170 mm	920x1810x 1170 mm	920x1410x 1170 mm
NET WEIGHT	36 Kg	33 Kg	28 Kg	24 Kg



Z. i. 2 - Via Cavatorta, 6/1 | 48033 Cotignola (Ra) | ITALY  
[www.battipav.com](http://www.battipav.com) | [sales@battipav.com](mailto:sales@battipav.com)



AUTHORIZED DEALER:

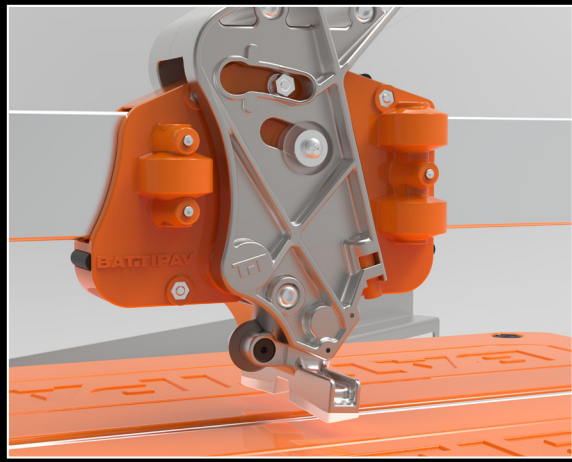


August 2022

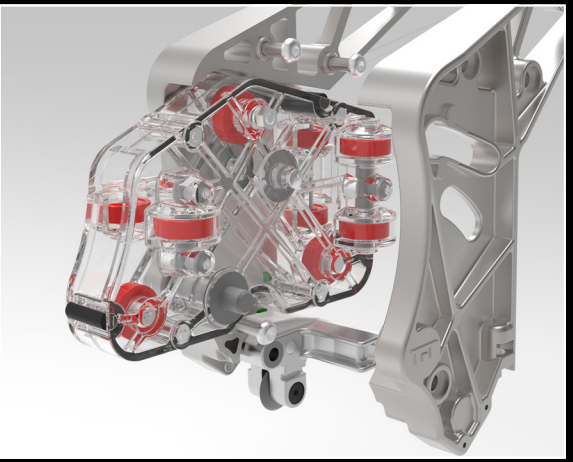
**BATTIPAV**™

MACCHINE PER EDILIZIA | MACHINES FOR BUILDING





**ALUMINIUM MAGNETIC FOOT**  
 The large size breaking foot in aluminum with a white rubber protection to avoid scratches. A magnet placed on the foot allows, by lifting it, to make the whole incision with a single move. Then, by lifting the handle, the foot is immediately ready for separation. Speed and precision: 1 second operation!

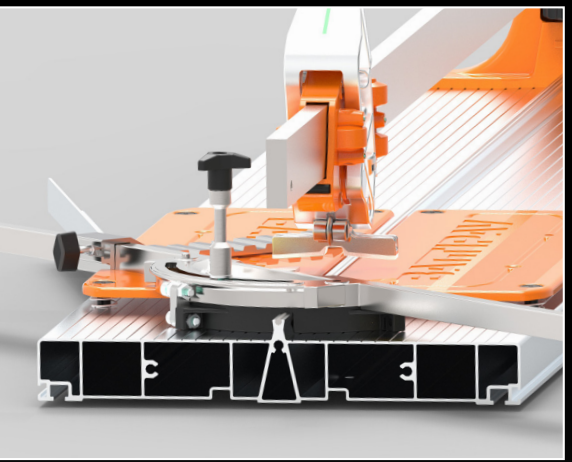


**CARRIAGE**  
 The carriage in aluminum is equipped with 9 ball bearings for extremely smooth and precise movement. There are rubber inserts on both sides for hit protection.

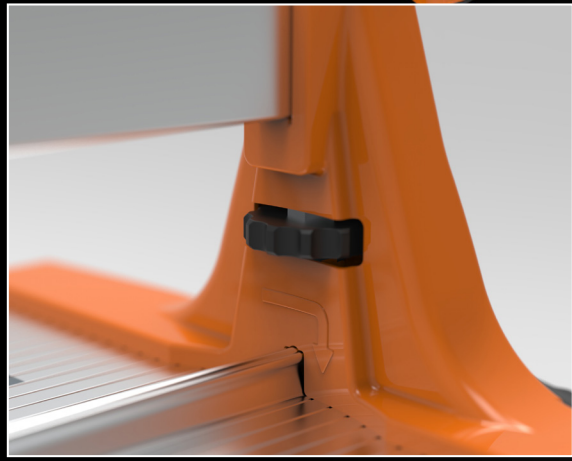


**SET-UP**  
 Indicator for perfect bar height set up

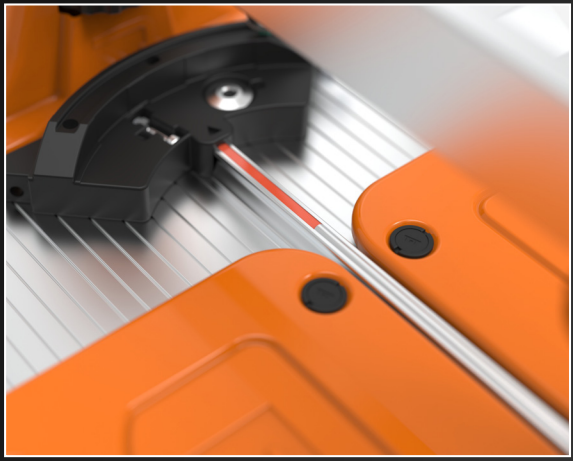
**STRUCTURE**  
 Strong and large body made in aluminium draw-plate to get rigidity and lightness at the same time.



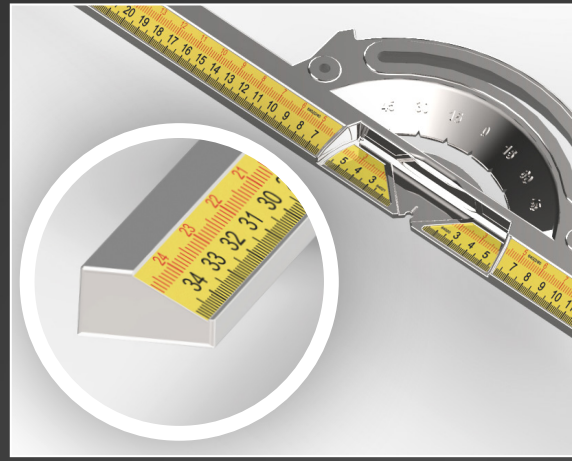
**WORKING TABLE**  
 In shaped and cushioned steel with cutting line in stainless steel.



**BAR HEIGHT ADJUSTMENT**  
 The bar height is adjustable for specific tile thickness to have the best possible performance. Moreover, it is 15 mm thick for superior precision during the long tile cuts.



**BREAKING LINE**  
 Made of stainless steel for maximum durability with rubber amortization insert at the breaking point for tile edge protection.



**SQUARE**  
 Aluminium monobloc with high readability of the measurements, locking device for fast diagonal cut setting and lateral fence for cuts in series.